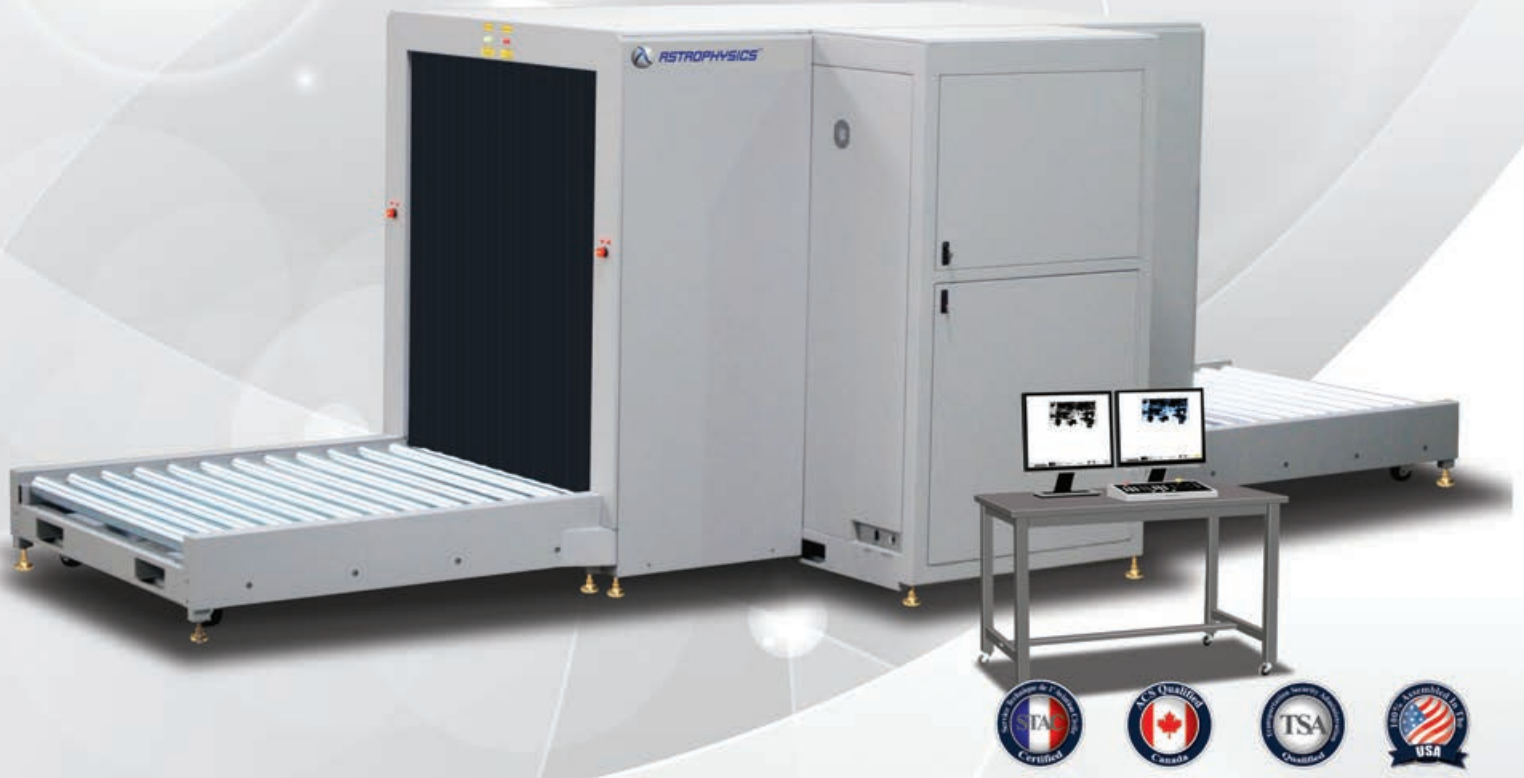




ASTROPHYSICS™

TOMORROW'S TECHNOLOGY FOR TODAY'S SECURITY



XIS-1517 200kV

Heavy Duty High Performance System Pallet and Cargo Inspection



TRANSPORTATION

*Airport entrances and perimeters,
air cargo, and checkpoint technology.*



PORTS & BORDERS

*Border control, sea ports, and
other large cargo sectors.*



CRITICAL INFRASTRUCTURE

*Access control for prisons, courthouses,
mailrooms, hotel entrances and
military bases.*

The XIS-1517 200kV is the premier heavy duty X-Ray Inspection System with a tunnel opening of 150.0 cm x 170.2 cm (59.0" x 67.0"). The XIS-1517 200kV is especially designed for screening crates, cargo and pallet sized objects at all security sites, including airports and customs locations.

With a low conveyor height of just 38.3 cm (15.0") above floor level, loading and unloading of heavy freight is simple. With a 200kV generator, the XIS-1517 200kV boasts superior penetration.

The XIS-1517 200kV consistently delivers high quality imaging and outstanding performance. The XIS-1517 200kV is your solution to advanced cargo screening.

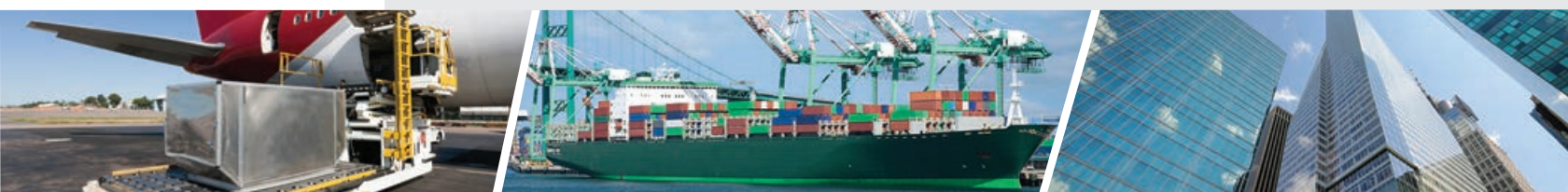
All Astrophysics X-ray Inspection Systems are equipped with Real-Time Diagnostics, a unique Astrophysics feature which allows users to monitor system health. This software was specifically engineered to save you valuable time and money. If requested, Astrophysics would also be able to connect to your system and troubleshoot any issues remotely.

An exclusive Astrophysics option is our 6 Color Imaging, which enables operators to view screened objects in 6 colors, each color correlating to a specific range of Atomic Z-Numbers. 6 Color Imaging enables operators to achieve optimal material identification which improves throughputs.

Astrophysics is committed to providing quality products and services nationwide. We listen to our customers and offer customizations and order flexibility based on their needs.

Backed by a team of engineers from our City of Industry, California center of excellence headquarters, Astrophysics designs cutting-edge X-ray screening technology for detecting weapons and contraband for transportation, ports, borders, critical infrastructure and other industries that present security risks.

Astrophysics is headquartered in the United States and maintains a global presence with service delivery worldwide. Astrophysics is committed to global safety and is proud to present this new age of screening security—driving the industry into the technology of tomorrow.





GENERAL SPECIFICATIONS

- Tunnel Size: 150.0 cm x 170.2 cm
(W x H) 59.0" x 67.0"
- Dimensions²: 731.2 cm x 259.1 cm x 225.2 cm
(L x W x H) 287.9" x 102.0" x 88.7"
- Shipping Dimensions²:
(L x W x H)
 - 1x 294.6 cm x 143.5 cm x 251.5 cm
116.0" x 56.5" x 99.0"
 - 2x 218.4 cm x 143.5 cm x 251.5 cm
86.0" x 56.5" x 99.0"
 - 2x 203.2 cm x 190.5 cm x 81.3 cm
80.0" x 75.0" x 32.0"
- Net Weight²: 3850 kg (8488 lbs)
- Shipping Weight²: 4850 kg (10692 lbs)
- Conveyor Speed: 10 cm/s (20 ft or 6m/min) Forward or Reverse
- Conveyor Height: 38.3 cm (15.0") from Floor
- Conveyor Capacity: 2000 kg (4409 lbs) Evenly Distributed Load

TECHNICAL

- Wire Resolution: 40 AWG Typical, 38 AWG Standard
- Spatial Resolution: 1.3 mm Horizontal, 1.3 mm Vertical
- Steel Penetration: 52 mm Typical, 50 mm Standard
- Contrast Sensitivity: 24 Visible Levels, 4096 Gray Level
- Film Safety: Guaranteed up to ISO 1600 (33DIN)

X-RAY GENERATOR

- Voltage: 200kV
- Tube Current: 1.0 mA
- Duty Cycle: 100%, No Warm-Up Procedure Required
- Beam Direction: Horizontally Sideward
- Detector: 2176 Channels in an L-Shaped Array

COMPUTER

- Processor: Intel® Core i5
- Memory: 4 GB RAM
- Storage: 500 GB HDD, 120 GB SSD
- Video Card: 1 GB Video Card
- Platform: Windows® OS
- Backup: Uninterruptible Power Supply (Computer Operation - 20 Minute)

VIDEO

- Display Type: Dual 24" LCD Color Monitors
- Display Resolution: 1600 x 1200; 24 Bit/Pixel Color

ENVIRONMENTAL

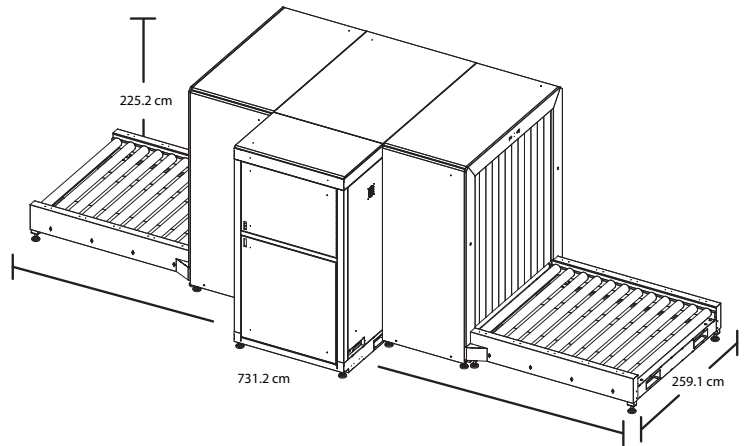
- Operating Temperature: 0°C - 40°C \ 32°F - 104°F
- Storage Temperature: -20°C - 60°C \ -4°F - 140°F
- Humidity: Up to 95% Non-Condensing

ELECTRICAL

- Power Requirements: 110VAC ± 10%, 50/60Hz, 15 Amp Max
220VAC ± 10%, 50/60Hz, 10 Amp Max

HEALTH AND SAFETY

- Compliant with USFDA, Center for Devices and Radiation Health Standards for Cabinet X-Ray Systems (21-CFR 1020.40)
- Typical radiation leakage is less than 0.1 mR/hr (Leakage less than 0.5 mR/hr permitted by the Federal Standard)



STANDARD FEATURES

- 6 Color Imaging
- 9 Quadrant Zoom
- Atomic Z-Number Measurement
- Auto Image Archiving (150,000)
- Baggage Counter
- Color and Black/ White Imaging
- Continuous Scanning
- Continuous Zoom up to 64x
- Vertical Zoom Panning
- Geometric Image Distortion Correction
- High Penetration Function
- Heavy Duty Roller Casters
- Image Annotation
- Image Review
- JPEG Conversion
- Material Discrimination
- Multi-Tier Accessibility
- Network Ready
- Organic/ Inorganic Imaging
- Operator Training Program (OTP)
- Picture Perfect
- Print Image Capable
- Pseudo Color
- Real-Time Image Manipulation
- Real-Time Self Diagnostics
- Reverse Monochrome
- Save Image (RGB)

OPTIONAL FEATURES³

- Conveyor Capacity 3000 kg (6614 lbs) Evenly Distributed Load
- Custom Paint
- Density Alert
- Extended Entry/ Exit Rollers
- Footmat Operator Interlock
- Image Analysis Program (IAP)
- Image Analysis Program - LITE (IAP - LITE)
- Local Language Support
- Polar Kit
- Radiation Meter
- Remote Workstation Configuration
- Screener Assist Software
- Test Case
- Threat Image Protection (TIP) Software
- Tropical Kit
- Wireless Barcode Scanning



¹ As tested on Astrophysics Inc. Test Piece.

² Weight and dimensions of the system may vary depending on customization.

³ Optional features may affect lead time price, and weight of XIS-1517 200kV. Please contact your Astrophysics Sales Representative for more information.

Due to continued product research and development, Astrophysics Inc. reserves the right to amend all technical specifications without prior notice.